



5.12kWH 10.24kWH

EVE GRADE A BATTERY CELL



More energy available

90% discharge
Optimising energy at module level



Flexible investment

Modular design
Up to 16pcs in parallel



Safe & Secure

Lithium Iron Phosphate battery (LFP)
Low voltage safety connection



Easy installation

Simple and perfect design



Quick Start up

Smart BMS automatically communicates
quickly with most hybrid inverters



Perfectly applicable

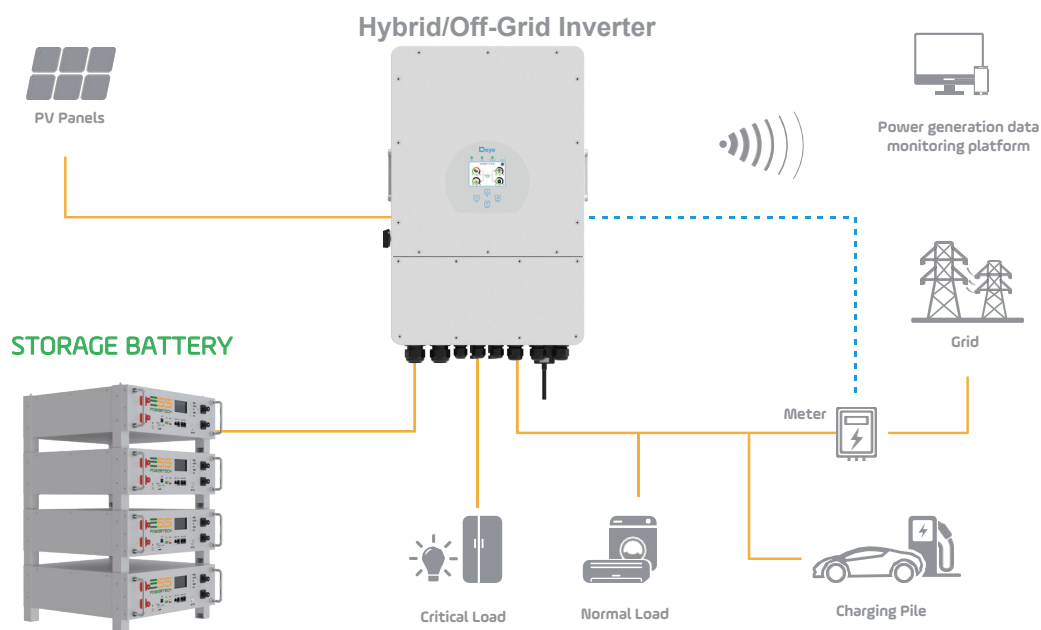
Applicable to single-phase and
three-phase residential inverters

Compatible inverter brands:

- Deye/Luxpower/Growatt/Megarevo/Goodwe/Must/SRNE/EPEVER/Afore/
SMA/Studer/Solax/Solis/Sofar/Schneider/Sorotec/SMK/Victron/Voltronic/Inhenergy/...

	PT-ESS-R5120	PT-ESS-R10240
BATTERY MODULE SPECIFICATION		
Battery/Cell Type	LFP	LFP
Nominal Voltage (Vdc)	51.2V	51.2V
Nominal Capacity (Ah)	100Ah	200Ah
Total Energy (Wh)	5120	10240
Max. Charge and Discharge Current (A)	100	150
Recommend Charge and Discharge Current(A)	50	80
Operating Voltage Range (Vdc)	43.2-57.6	
Recommend Depth of Discharge	90%	
Discharge Cut-off Voltage (V)	40	
Parallel	Up to 16 connected in parallel	
Cycle Life	≥6000 cycles at 70% EOL, 0.2C, 25°C	
Warranty	5 years (designed life 15 years)	
COMMUNICATION		
Display	LCD Screen	
Communication	RS485 between modules in Parallel, CAN bus/RS485 to inverter,USB to PC Monitoring	
STANDARD COMPLIANCE		
Safety (Cell level)	UL1642 / IEC62619 / CE / ROHS / MSDS /UN38.3	
Safety (Module level)	IEC61000 / CE / ROHS / MSDS /UN38.3	
MECHANICAL SPECIFICATIONS		
Dimensions (W x H x D) (mm)	440*440*145	440*780*145
Weight (kgs)	48	96
Installation	Wall mounted/Stackale	
Operating Temperature ⁽⁴⁾ Charge/Discharge (°C)	-10 to +50	
Storage Temperature (6 months between recharge) (°C)	-10 to +45	
Cooling Method	Natural convection	
Noise (at 1m distance) (dBA)	<25	

Hybrid Solar System



Model	Accessories Parts Description	Remark
QBCable200	Battery Parallel Cable (Included)	Battery power and communication parallel connection cable
QPCable1500	Hybrid Inverter Cable (Optional-Excluded)	Battery power cable connect with hybrid inverter
Comm-Cable1500	Hybrid Inverter Cable (Included)	Battery communication cable connect with hybrid inverter
LR-Bracket	Battery Rack Fixed Ear (Optional-Excluded)	Used for battery fixing with or cabinet
S-Bracket	Battery Stackable Brackets (Included)	Simple stacking bracket, 1 unit including 4 pcs brackets, Max. stacking 6 floors
W-Bracket	Battery Wall-Mounted Brackets and screws (Optional-Excluded)	Simple wall hanging support.



Model: QBable200

Details: Pair of 6AWG Battery power cable (both ends have waterproof terminals) and one RJ45 communication cable for battery parallel. The default length is 200mm.



Model: QPCable1500

Details: Pair of 6AWG DC power cable (one end has a waterproof terminal, the other end is M10 copper terminal)



Model: Comm-Cable1500

Details: One RJ45 communication cable connect with hybrid inverter. The default length is 1500mm.



Model: LR-Bracket

Details: Pair of rack fixed ears used for battery fixing with rack shelf or cabinet.



Model: S-Bracket

Details: Simple stacking bracket, height 199mm, 1 set including 4 pcs brackets, Max. stacking 6 floors.



Model: W-Bracket

Details: Pair of simple wall hanging support, included 4 sets of M6 expansion screws.