

Three-phase On-grid String Inverter

SPI5K-B/SPI6K-B /SPI8K-B/SPI10K-B/SPI12K-B



Product Features

Efficient and flexible

- 2 independent MPPT, more generation
- Advanced control algorithms and high adaptation ability to the grid, improving the stability of power generation system

Safe and reliable

- IP65 for outdoor application
- Integrated AC/DC full lightning protection
- Aluminum alloy die-casting integrated chassis, ensure 25 years full life circle running

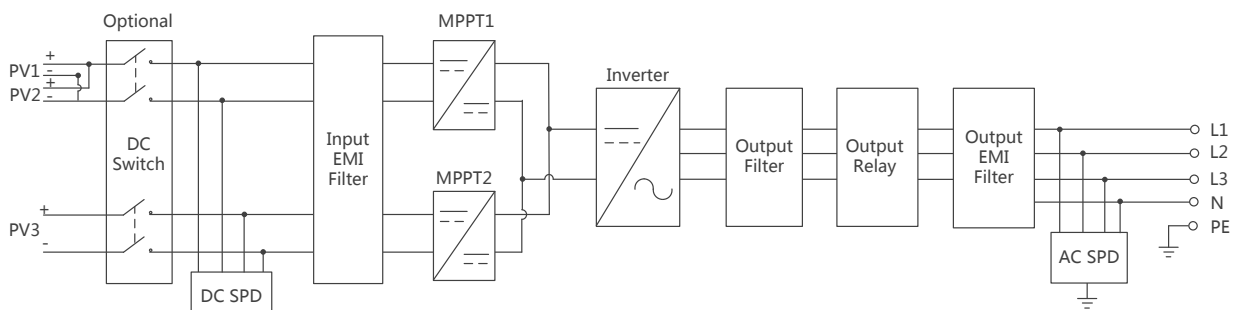
Intelligent management

- I&V Intelligent diagnosis, accurate identification and positioning of abnormal PV panels
- Support RS485, Wifi, GPRS communication
- Remote online upgrade, convenient and efficient

Grid friendly

- Grid-connected current harmonics <3%, green adapts to grid
- Ultra wide grid voltage range

Function Diagram



*e.g. SPI10K-B

Technical Specification

Items	SPI5K-B	SPI6K-B	SPI8K-B	SPI10K-B	SPI12K-B
DC Input					
Max. PV input voltage	1000Vdc				
Rated PV voltage	600Vdc				
Max. PV input current	22A (2×11A)	22A (2×11A)	33A (3×11A)	33A (3×11A)	22A (2×11A)
No. of MPPTs	2	2	2	2	2
No. of PV strings per MPPT	1/1	1/1	2/1	2/1	1/1
MPPT voltage range	200Vdc~950Vdc				
Starting voltage	200Vdc				
AC Input					
Rated AC output power	5kW	6kW	8kW	10kW	12kW
Max. output power	5.5kW	6.6kW	8.8kW	11kW	13.2kW
Rated AC output voltage	380/400/415Vac				
Rated output current	7.3A	8.7A	11.6A	14.5A	17.4A
Max. output current	8.0A	9.6A	12.8A	15.9A	19.1A
Rated grid frequency	50Hz/60Hz				
Grid frequency range	45~55Hz/55~65Hz				
Power factor	>0.99 (full load)				
Adjustable power factor	0.8 (leading)~0.8 (lagging)				
THDi	<3% (rated power)				
Efficiency					
Max. efficiency	98.50%				
European efficiency	98.00%				
Protection					
Anti-islanding	Yes				
DC reversed connection	Yes				
AC short circuit protection	Yes				
Temperature protection	Yes				
Surge protection	Yes				
PV fault detect	Yes				
DC switch	Optional				
General					
Dimensions (W×H×D)	480×420×180mm				
Weight	23kg				
IP grade	<30dB				
Noise level	IP65				
Self-consumption at night	<1W				
Cooling type	Natural cooling				
Altitude	4000m (>3000m derating)				
Operating temperature	-25°C~+60°C (>45°C derating)				
Relative humidity	0~100%				
Display	LCD+LED				
Communication	RS485/WiFi (optional)/GPRS (optional)/DRM (Australia)				
DC terminal	H4 Terminal				
AC terminal	OT Terminal				
Installation method	Wall-mounted				
Standard	EN62109-1, EN62109-2, AS/NZS4777.2: 2015, EN 61000-6-2, EN 61000-6-3, IEC 62116:2014, IEC 61727: 2004, IEC 60068-2-1: 2007, IEC 60068-2-2: 2007, IEC60068-2-14: 2009, IEC61683 (ed.1)				

■ Specifications are subject to change without prior notice.

Kehua Hengsheng Co., Ltd.

Add: No. 457, Malong Road, Torch High-Tech Industrial Zone, Xiamen Fujian China
Tel: +86-592-5160516 Fax: +86-592-5162166 www.kehua.com

