

# Single-phase On-grid String Inverter

SPI3000-B2/SPI4000-B2/SPI5000-B2/SPI6000-B2



## Product Features

### High efficiency

- High-efficiency inverter topology ensures annual power generation
- Advanced control algorithms and high adaptation ability to the grid, improving the stability of power generation system

### Safe and reliable

- IP65 for outdoor application
- Integrated AC/DC full lightning protection
- Aluminum alloy die-casting integrated chassis, ensure 25 years full life circle running

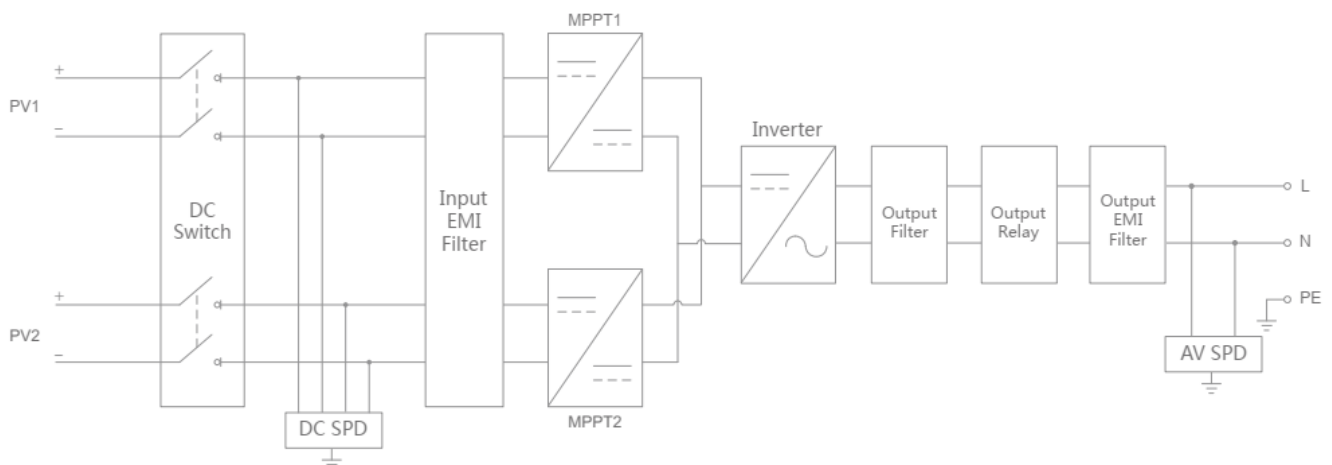
### Intelligent management

- Intelligent cloud platform monitoring, realizing one- key APP real-time monitoring
- Support RS485, GPRS, WIFI and other communication methods

### Green saving

- Small size, easy to install and use
- Natural cooling, ensuring low environmental noise
- Super-wide operating temperature range, adapt to extremely cold, high temperature areas

## Function Diagram



# Technical Specification

Items	SPI3000-B2	SPI4000-B2	SPI5000-B2	SPI6000-B2
<b>DC Input</b>				
Max. PV input voltage	600Vdc			
Rated input voltage	360Vdc			
Max. PV input current	26A (2×13A)			
No. of MPPTs	2			
No. of PV strings per MPPT	1/1			
MPPT voltage range	100Vdc~550Vdc			
MPPT voltage range for nominal power	150Vdc ~450Vdc	200Vdc ~450Vdc	250Vdc ~450Vdc	300Vdc ~450Vdc
Starting voltage	120Vdc			
<b>AC Output</b>				
Rated AC output power	3.0kW	4.0kW	5.0kW	6.0kW
Max. output power	3.3kW	4.4kW	5.5kW	6.0kW
Rated AC output voltage	220V/230Vac			
Rated output current	13.0A	17.4A	21.7A	26.0A
Max. output current	14.3A	19.1A	23.9 A	26.0 A
Rated grid frequency	50/60Hz			
Grid frequency range	45~55Hz/55~65Hz			
Power factor	>0.99 full load			
Adjustable power factor	0.8(leading)~0.8(lagging)			
THDI	<3% (nominal power)			
<b>Efficiency</b>				
Max. efficiency	98.10%	98.30%		
European efficiency	97.70%	97.90%		
<b>Protection</b>				
Anti-islanding	Yes			
DC reversed connection	Yes			
AC short circuit protection	Yes			
Temperature protection	Yes			
Surge protection	Yes			
PV fault detect	Yes			
DC switch	Yes			
<b>General</b>				
Dimensions (W×H×D)	360×420×125mm			
Weight	11.5kg			
IP grade	IP65			
Self-consumption at night	<1W			
Cooling type	Natural cooling			
Altitude	4000m (>2000m derating)			
Operating temperature	-40°C~60°C (>45°C derating)			
Operating humidity	0~100%			
Display	LCD+LED			
Communication	RS485/WiFi (optional)/GPRS (optional)/DRM (Australia)			
DC terminal	H4 Terminal			
AC terminal	Plug and play connector			
Installation method	Wall-mounted			
Standard	NB/T32004,-2018, EN62109-1, EN62109-2, AS/NZS4777.2:2015, EN 61000-6-2, EN 61000-6-3, IEC 62116:2014, IEC 61727:2004, IEC 60068-2-1:2007, IEC 60068-2-2:2007, IEC60068-2-14:2009			

• Specifications are subject to change without prior notice.

## Kehua Tech

Add: No. 457, Malong Road, Torch High-Tech Industrial Zone, Xiamen Fujian China

Tel: +86-592-5160516 Fax: +86-592-5162166 www.kehua.com

